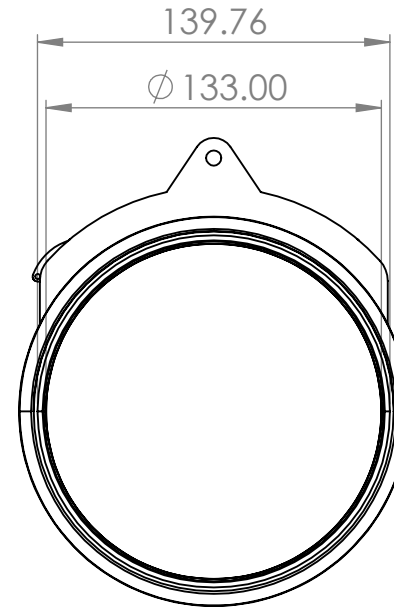
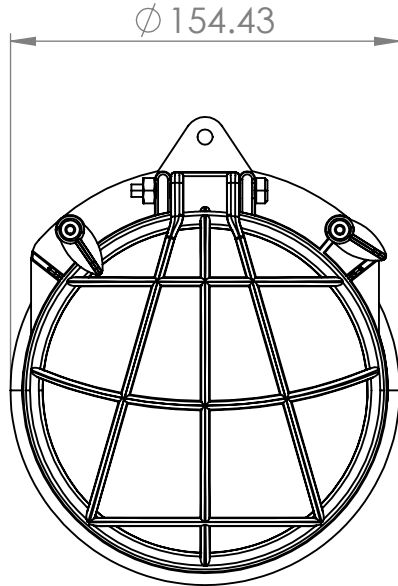
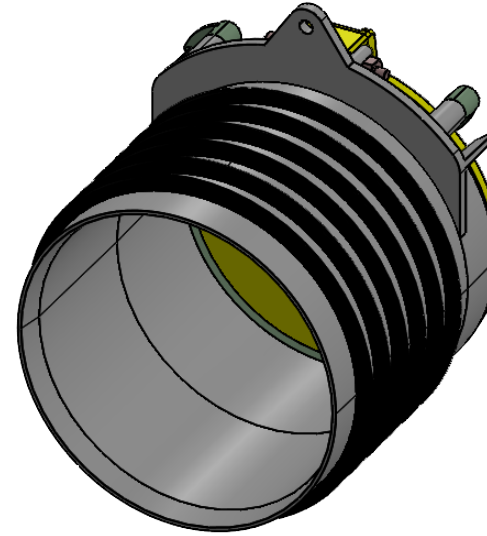
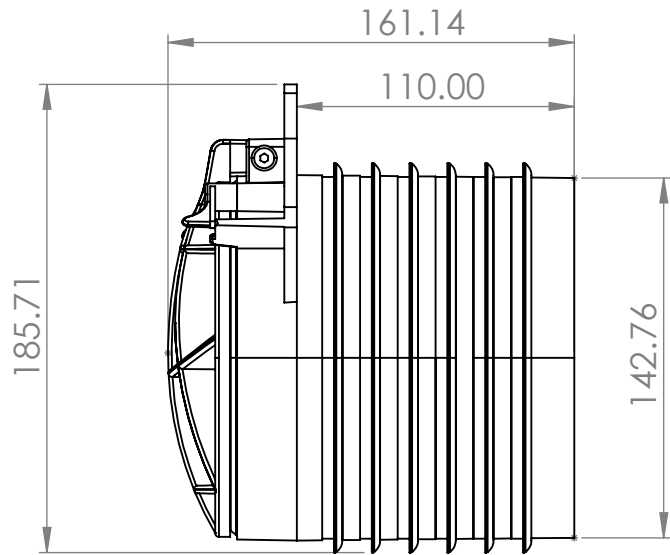


THIRD ANGLE PROJECTION 

DO NOT SCALE - IF IN DOUBT ASK

ALL DIMENSION IN mm UNLESS STATED



300 S. Dayton St.
Davison, MI 48423, USA
TELEPHONE: +1 (810) 503-9000
www.fernico.com

FERNICO INC. ALL RIGHTS RESERVED.
THIS DOCUMENT AND THE INTELLECTUAL PROPERTY THEREOF ARE THE PROPERTY OF FERNICO INC.
ANY PERSON VIEWING THIS DOCUMENT DOES SO UNDER AN AGREEMENT OF CONFIDENTIALITY. THE CONFIDENTIAL NATURE OF THIS DOCUMENT MUST BE MAINTAINED AND NOT RESTRICTED AS SET OUT IN THE COPYRIGHT, DESIGNS & PATENT ACT 1988. DUPLICATION MAY NOT BE PERFORMED WITHOUT THE EXPRESS CONSENT OF FERNICO INC.

TITLE:
NRV 6 - GA

DRAWN: BD	DRG No. NRV6	ISSUE -
---------------------	------------------------	-------------------

PART No.
NRV6

DATE: 08/03/2022	SCALE 1:3	ORIG. SIZE A4
----------------------------	---------------------	-------------------------

MATERIAL: N/A	FINISH: N/A
-------------------------	-----------------------

NOTES:
1. PRODUCTION CAN ONLY TAKE PLACE UPON FULL APPROVAL OF SAMPLES WITHIN THE INTENDED ASSEMBLY.

TOLERANCE:
±??mm UNLESS OTHERWISE STATED

MARKING:

REVISIONS

ISSUE	ECN	DESCRIPTION	DATE	SIGN
-	-	-	-	-